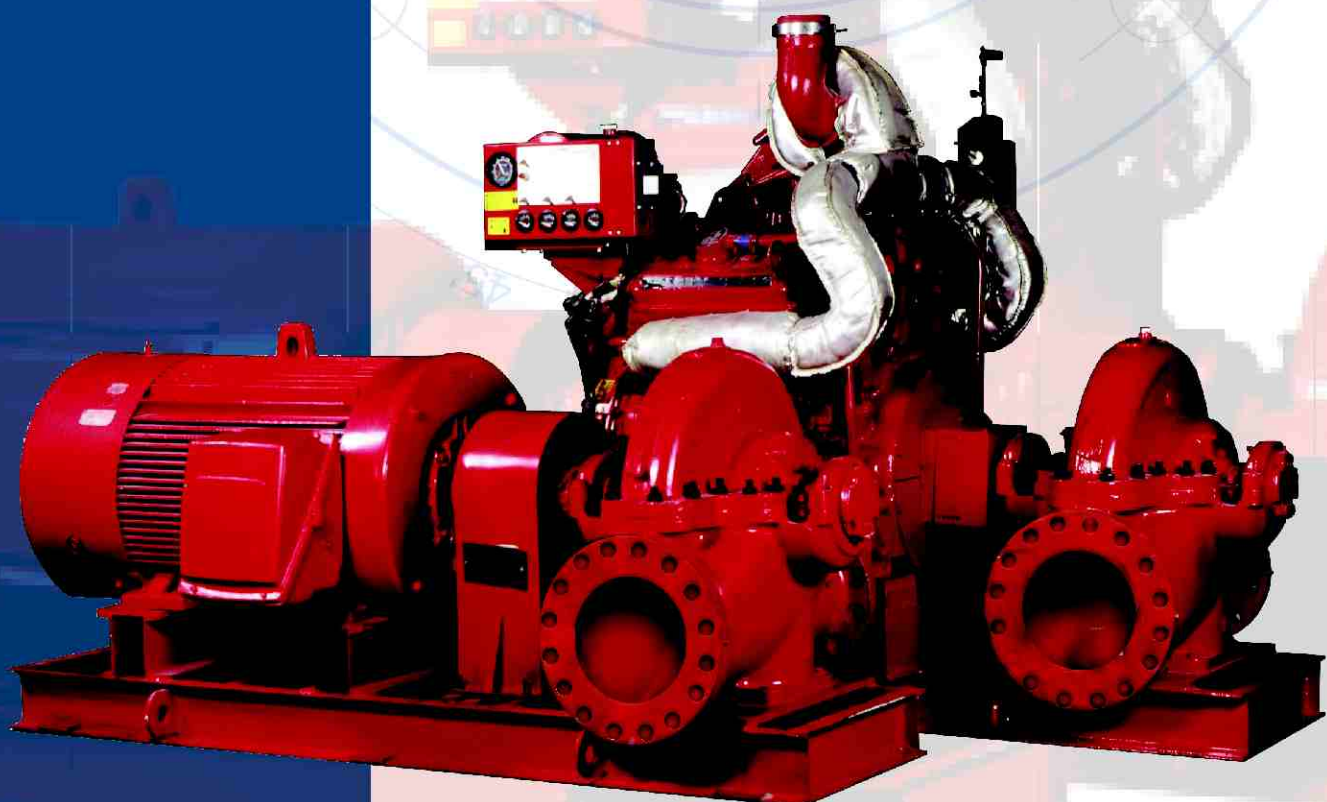




# FIRE PUMPS

Horizontal Split Case Pumps Listed  
for Fire Protection Service



# FIRE PUMPS

## Listed Pumps

*For over 50 years the name Ruhrpumpen has been synonymous worldwide with innovation and reliability for pumping technology.*

**R**uhrpumpen's double suction, horizontal split-case centrifugal pump combines the latest in hydraulic design with almost a century of application experience to meet today's industrial and municipal requirements.

Split Case Fire Pumps offer longer life, higher efficiencies, less downtime and lower maintenance costs.

Heavy fabricated-steel bases, are available to mount the pump and driver. Flexible shaft coupling connects driver to pump.

Intensive research and development ensures that the products of Ruhrpumpen are continuously improved to meet the latest technical requirements.

It is only possible to achieve these aims by means of highly sophisticated CNC controlled machines in our modern machine shop, supplemented by our test and development departments as well as the latest industry standard inspection and control procedures. All in our ISO 9001 certified facilities.

The application of modern, reliable methods, data processing and sophisticated software with high performance, decentralized computers and personal computers offers our customers high reliability and speed in all working processes, from planning and production to the providing of spare parts.

The instant availability of spare parts, together with first class service, ensures customers that they have selected the right partner.

Capacity	Rated Net Pressure PSIG	Suction/ Discharge	Model
250	95-146	3½ /3	HD040317
500	123-180	5/5	HR040611B*
750	93-142	6/6	HD060417
	107-197		HD080620
1000	78-137	8/6	HD080617
	106-197		HD080620
1250	75-134	8/8	HD080617
	103-195		HD080620
1500	71-130	8/8	HD080617
	99-153		HD081218A
	110-187		HD100820
	100-192		HD080620
2000	96-150	10/10	HD081218A
	86-129		HD100817
	80-182		HD100820
2500	95-145	10/10	HD081218A

- See Notes -

## Selection Criteria

1. Rated capacities according to UI448 Table 4.2.
2. Minimum discharge pressure 40 psi.
3. Pump shall furnish not less than 150% of rated capacity at not less than 65% of total rated head.
4. Suction lift must not be less than -15ft. at 150% rated capacity.

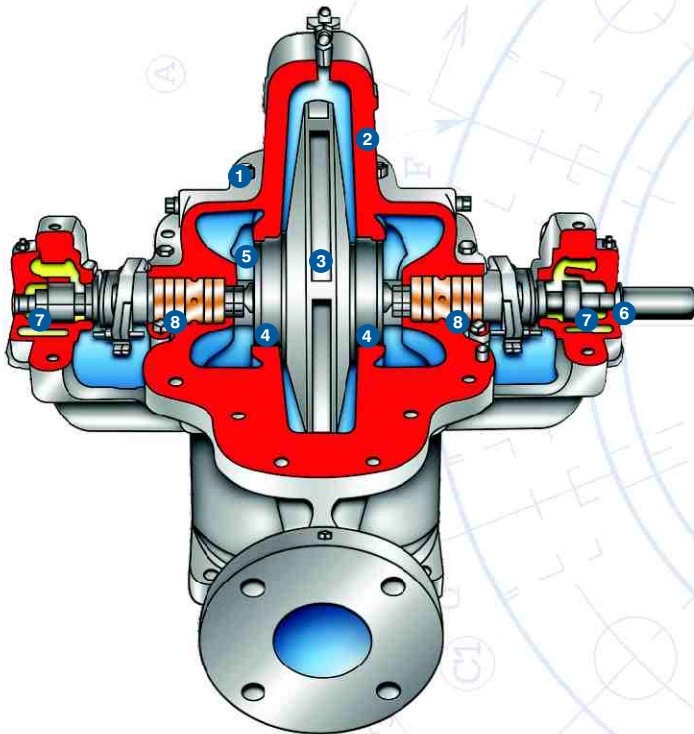
### Notes:

1. The minimum pipe size for the suction and discharge piping as referenced in the standard for installation of centrifugal fire pumps, NFPA-20-1999 are specified in this table.
2. Pumps having flange sizes other than the pipe size specified in this table may be fitted with a increaser fitting for connection to the minimum pipe size.
3. The operating speed for all pumps are 1750 RPM. Except \* are 3600 RPM.

# FIRE PUMPS



## Pumps Listed for Fire Protection Service



### Approvals:

Ruhrpumpen's Fire Pumps are listed by Underwriter's Laboratories Inc., and approved by Factory Mutual.

### Product Description

- ✓Single stage horizontal centrifugal pump.
- ✓Horizontally split case.
- ✓Flanged connections.
- ✓Enclosed impellers, double suction provides hydraulic balance reducing axial thrust.
- ✓Clockwise or counter clockwise rotation viewed from coupling side are available.
- ✓Grease lubricated bearings.

### Broad Application Range

- ✓Fire service.

### Performance Data

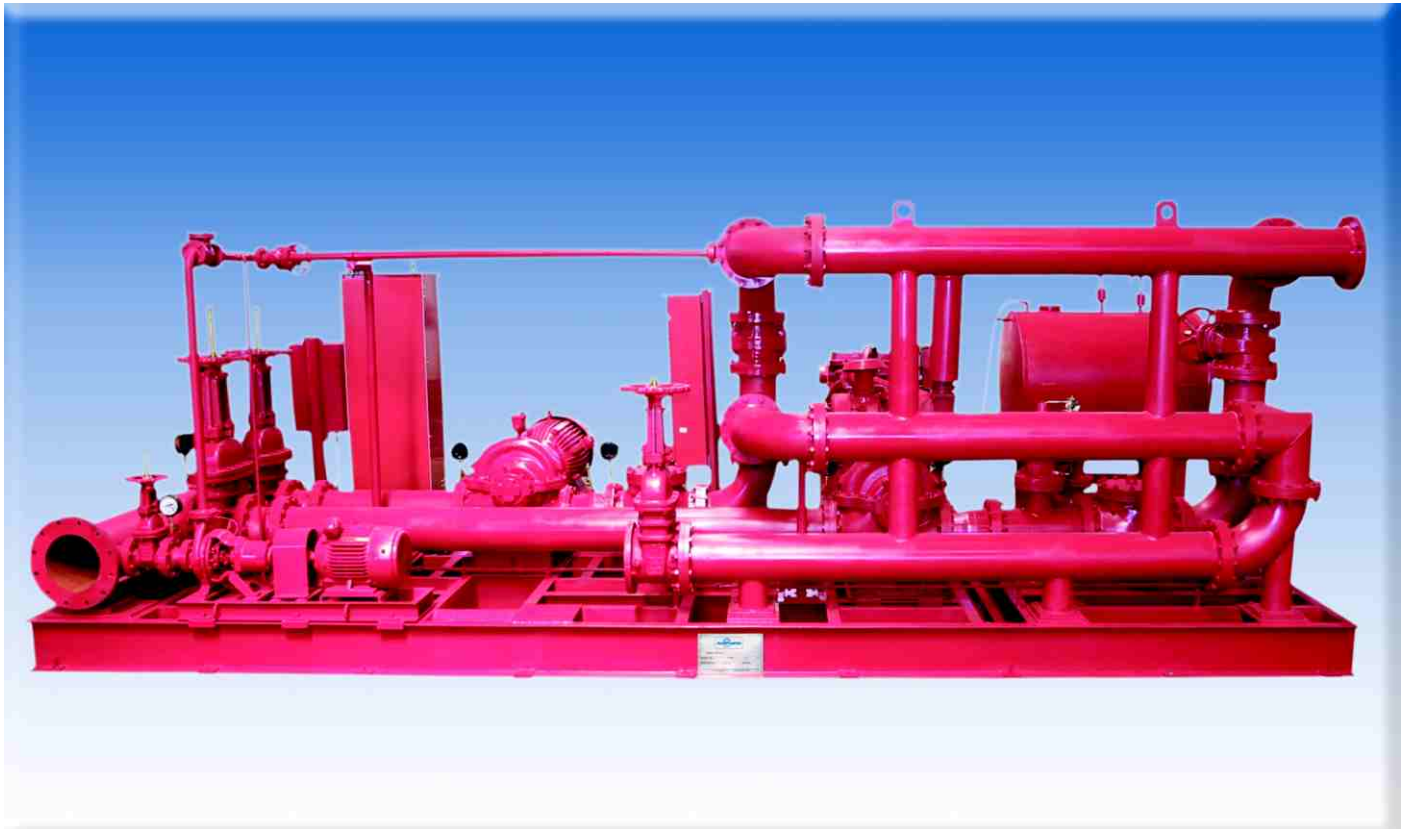
Capacity	To 2500 U.S. gpm	568m <sup>3</sup> /hr
Head	To 455 feet	139 m
Pressure	To 197 psig	
Temperature	50° F to 220° F	

- 1 Compact Design.** Heavy shaft and short bearing span reduce shaft deflection to a minimum, providing longer packing and bearing life and lower maintenance costs, while requiring less floor space. Clockwise rotation standard; counter-clockwise rotation optional.
- 2 Casing.** Horizontally split, upper and lower half bolted and dowelled to provide perfect alignment. Bearing supports are cast and bored integrally with lower-half casing. Upper half casing can be removed for inspection of complete rotating assembly without disturbing bearings or alignment. Flanged suction and discharge connections are located in the lower-half casing, permitting inspection and maintenance without disturbing piping or drive alignment.
- 3 Impeller.** Enclosed, double-suction type. Cast in one-piece and balanced to minimize thrust and to ensure longer bearing life., Keyed to shaft and locked in position by threaded shaft sleeves.
- 4 Wear Rings.** Close running clearance minimizes pressure leakage between suction and discharge chambers of the casing. Easily replaceable.
- 5 Shaft Sleeve.** Protects the shaft against corrosion and wear, extends through gland for maximum shaft protection. Threaded against impeller hub to tighten with rotation, yet free for thermal expansion with temperature changes.
- 6 Shaft.** Larger-diameter, precision-machined, high strength steel shaft provides maximum strength with minimum shaft deflection.
- 7 Bearings.** Outboard bearing is double-row type, accepting radial and thrust loads. Inboard bearing is single-row, accepting shaft radial load, and is free to move axially in housing to compensate for shaft expansion due to temperature changes. Grease lubrication.
- 8 Stuffing box.** Stuffing box is extra deep to accept minimum of five rings of packing and lantern ring. Internally drilled liquid passage in upper-half casing provides lubrication to the packing area.



## Ruhrpumpen Fire Pump System

---



**Ruhrpumpen, Inc.**  
4501 South 86th East Ave.  
Tulsa, Oklahoma 74145 USA  
Phone: 918-627-8400  
Fax: 918-624-2471  
e-mail [info@ruhrpumpen.com](mailto:info@ruhrpumpen.com)

**Ruhrpumpen GmbH**  
Stockumer Strasse 28 58453 Witten/Germany  
P.O. Box 63 09 58432 Witten/Germany  
Phone: (+ +49) 23 02/661-03  
Fax: (+ +49) 23 02/661-3 03  
e-mail: [info@ruhrpumpen.de](mailto:info@ruhrpumpen.de)

**Ruhrpumpen, S.A.**  
Níquel No. 9204 Ciudad Industrial Mitras,  
García, N.L. México 66000  
Phone: (+52)(81) 8158-5500  
Fax: (+52)(81) 8158-5501  
e-mail: [wdm@corporacioneg.com](mailto:wdm@corporacioneg.com)

**[www.ruhrpumpen.com](http://www.ruhrpumpen.com)**  
**e-mail: [info@ruhrpumpen.com](mailto:info@ruhrpumpen.com)**

A/Jan/03



*Specialist for Pumping Technology*

A  
*Corporación*   
Company

For more information:

