

6" ENCAPSULATED SUBMERSIBLE MOTORS

Single-Phase 5-15 hp & Three-Phase 5-40 hp
200-575 volts 60 & 50 Hz

Motors
Drives
Controls
Protection

Application Data:

These motors are built for dependable operation in 6-inch diameter or larger water wells. Temperature and time ratings are continuous in 86 °F (30 °C) water at 1/2 ft./sec. flow past the motor. Rotation: single-phase, CCW facing shaft end; three-phase, electrically reversible.

Basic Features:

- Full 3450 RPM design point
- Maximum temperature winding wire NEMA class 200
- Anti-track self-healing resin system
- Hermetically-sealed windings
- Removable Water-Bloc™ lead
- Double flange design
- Stainless steel shell
- Kingsbury-type water lubricated thrust bearing
- Pressure equalizing diaphragm
- Sand slinger
- 3-lead & 6-lead (Wye Delta) configurations for 3-phase
- Copper bar rotor

Special Features:

- **316 Stainless Steel:** Special construction option for acid, low pH, and seawater applications. All 316 SS motors include a Subtrol-Plus heat sensor.
- **Sand Fighter™** models available for sandy wells. All Sand Fighter models include Subtrol-Plus heat sensor.

SUBMONITOR® OVERLOAD OPTION FOR THREE-PHASE MOTORS

A field proven and contractor friendly premium motor protection system. It protects the motor against overload, underload, overheating and rapid cycling. It also extends the motor warranty to a full three years.* The motor must be manufactured with a Subtrol-Plus® heat sensor.

*Contact factory for warranty details.



Availability

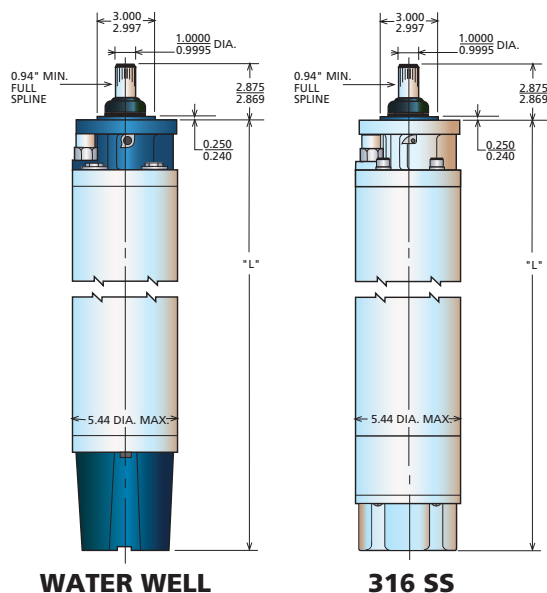
Single-Phase Capacitor start, Capacitor run (control box required)

HP	KW	Water Well "L" Dim		316 SS "L" Dim		Shipping Weight	
		IN	CM	IN	CM	LBS	KG
5	3.7	25.4	64.6	25.0	63.6	112	51
7.5	5.5	28.0	71.1	27.6	70.1	125	57
10	7.5	30.6	77.7	30.2	76.6	143	65
15	11.0	33.1	84.2	32.7	83.1	156	71

Three-Phase

HP	KW	Water Well "L" Dim		316 SS "L" Dim		Shipping Weight	
		IN	CM	IN	CM	LBS	KG
5	3.7	22.9	58.1	22.5	57.1	103	47
7.5	5.5	24.2	61.4	23.8	60.4	110	50
10	7.5	25.4	64.6	25.0	63.6	118	54
15	11.0	28.0	71.1	27.6	70.1	131	60
20	15.0	30.6	77.6	30.2	76.6	147	67
25	18.5	33.1	84.2	32.7	83.1	158	72
30	22.0	35.7	90.7	35.3	89.6	176	80
40	30.0	40.8	103.7	40.4	102.6	206	94

Note: 60 Hz - 3,450 RPM 50 Hz - 2,875 RPM



Construction Materials

Component	Standard Water Well	316 SS
Castings	Gray Iron	316 SS
Stator Shell	310 SS	316 SS
Stator Ends	Low Carbon Steel	316 SS
Shaft Extension	303 SS, Except 17-4 SS on 40 hp	17-4 SS
Fasteners	300 & 400 Series SS	316 SS
Seal Cover	304 SS & Sintered Bronze	316 SS
Seal	Carbon/Ceramic Face	Sand Fighter™ Seal System
Diaphragm	Nitrile Rubber	Nitrile Rubber
Diaphragm Plate	304 SS	316 SS
Diaphragm Spring	302 SS	17-7 SS
Slinger	Nitrile Rubber	Nitrile Rubber
Lead Wire (or Cable)	XLPE	XLPE
Lead Potting	Epoxy	Epoxy
Filter	Delrin & Polyester	316 SS Plug
Insulation	Class F	Class F

Note: Specifications subject to change without notice. Contact Franklin Electric if current material types are required for bid specifications.



Franklin Electric

400 East Spring Street, Bluffton, Indiana 46714 • Tel: 260.824.2900 Fax: 260.824.2909 • www.franklin-electric.com